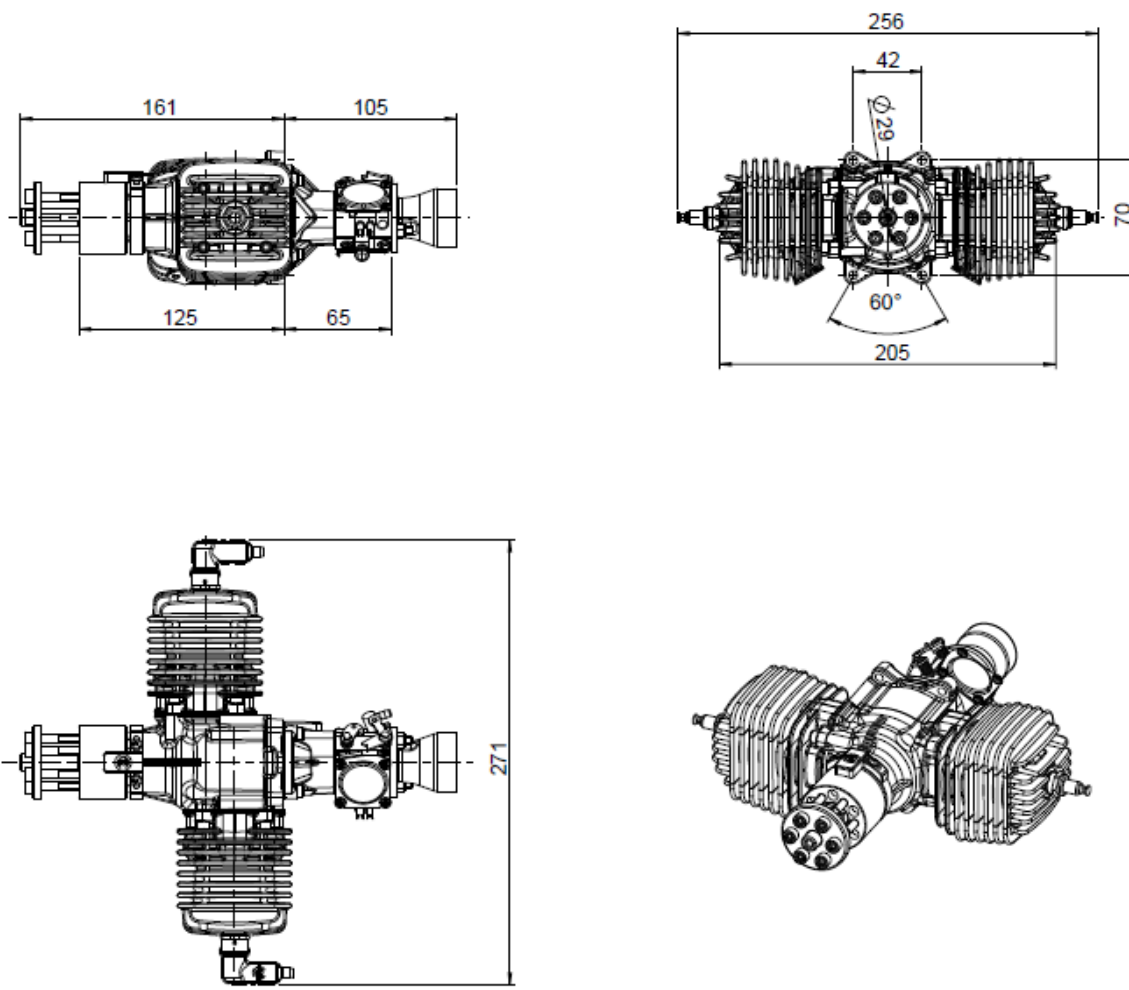


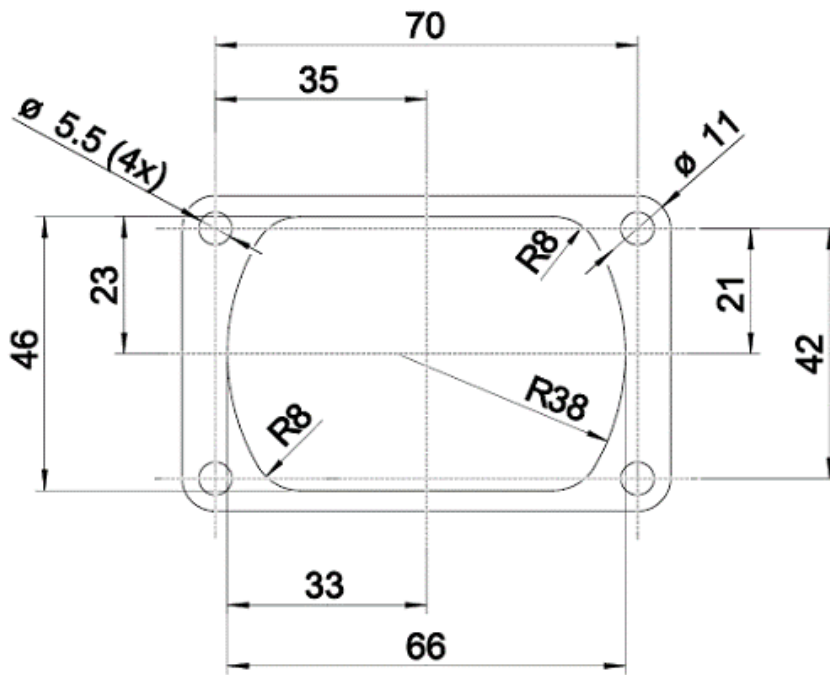


**Annex A**  
**3W-70iB2 CS**

# 1. 3-view drawing



## 2. Drilling template





### 3. Specifications

	3W-70iB2 CS
Cylinder capacity	68.00 ccm
Power	7.0 HP (5.1 KW)
Bore diameter	38.00 mm
Stroke	30.00 mm
Speed range	1,400 – 8,500 rpm
Weight, incl. ignition	1,950 g
Crankshaft	3 ball bearing
Rods	Needle bearings at both ends
Oil / gasoline ratio	1 : 50 – 1: 80 (min. 92 Octan)
IIS – ignition	6.0 – 8.4 V, 5 cells or 2 cells LiPo
2-blade propeller	24 x 10 wood part number 10.101.549 26 x 8 wood part number 10.101.557
4-blade propeller	20 x 12 CFK part number 10.101.780