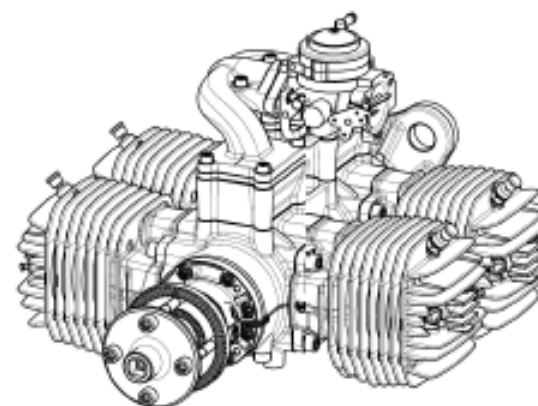
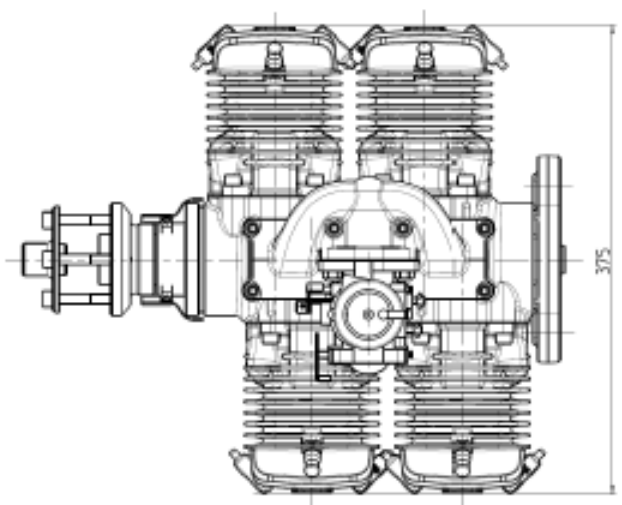
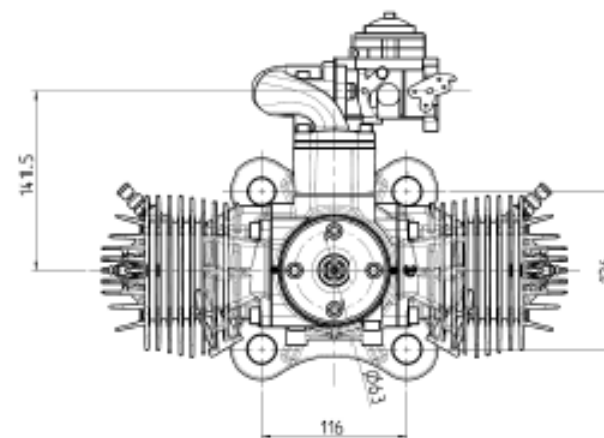
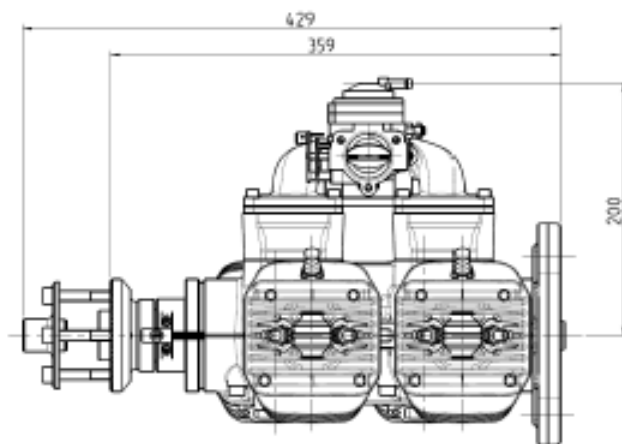




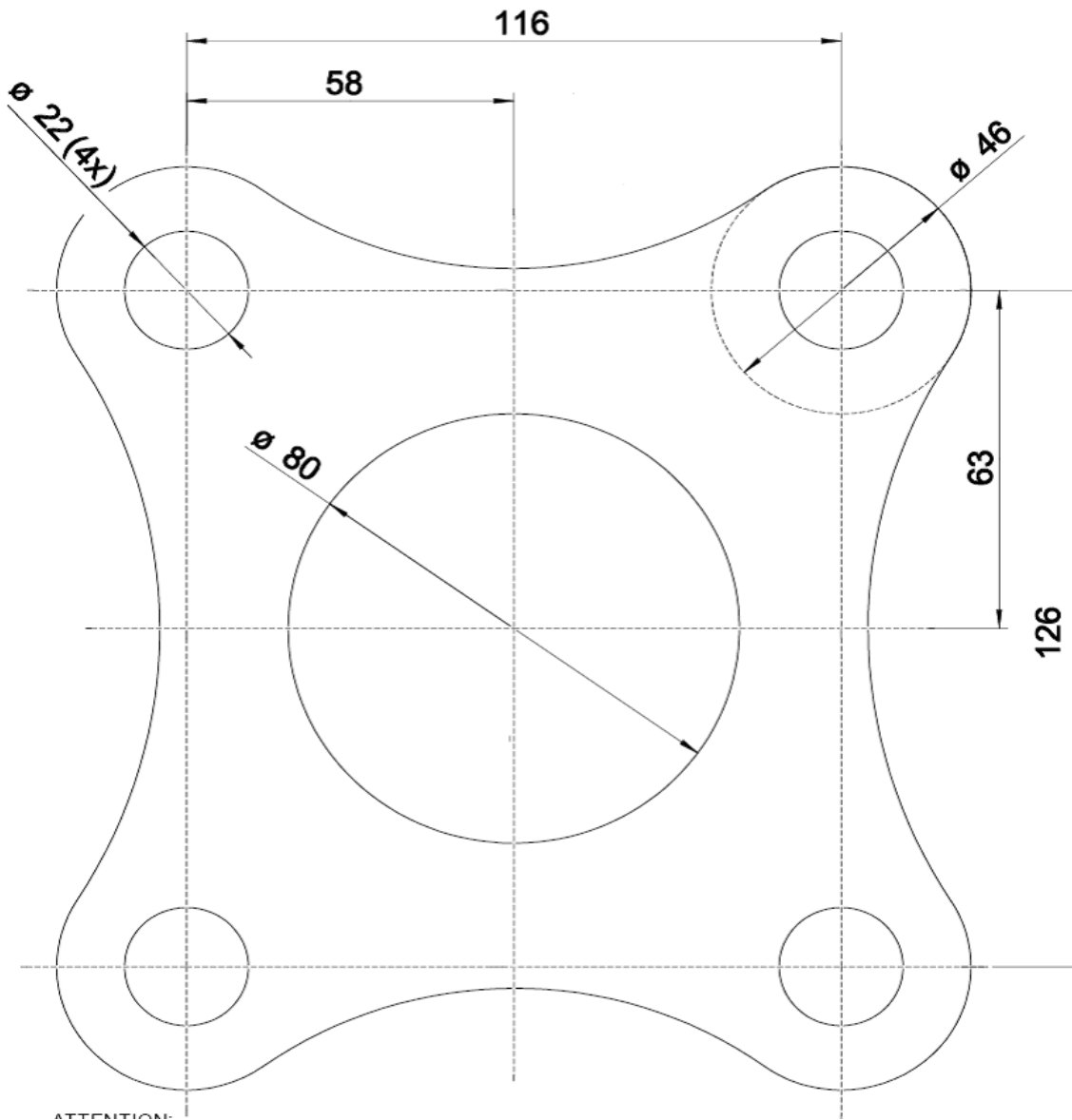
Annex A

3W-684iB4 TS

1. 3-view drawing



2. Drilling template





3. Specifications

| | 3W-684iB4 TS |
|------------------------|--|
| Cylinder capacity | 684.0 ccm |
| Power | 63.0 HP (46.3 KW) |
| Bore diameter | 66.00 mm |
| Stroke | 50.00 mm |
| Speed range | 1,200 – 6,500 rpm |
| Weight, incl. ignition | 16,350 g |
| Crankshaft | 3 ball bearing |
| Rods | Needle bearings at both ends |
| Oil / gasoline ratio | 1 : 50 – 1: 80 (min. 92 Octan) |
| IIS – ignition | 6.0 – 8.4 V, 5 cells or 2 cells LiPo |
| 2-blade propeller | 40 x 18 CFK part number 10.101.698 43 x 16 CFK part number 10.101.699 |