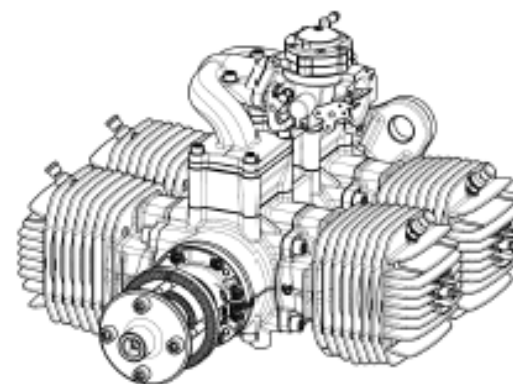
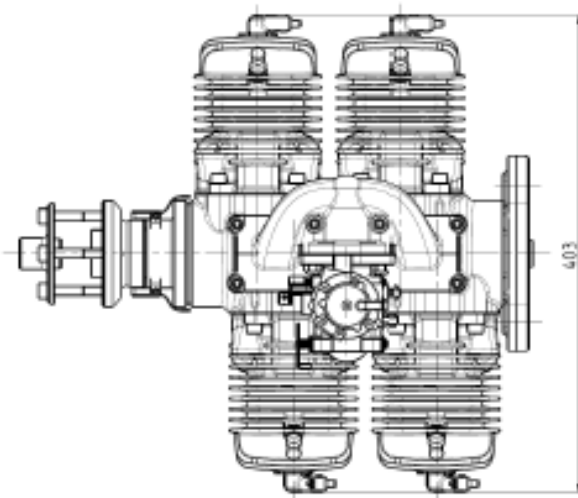
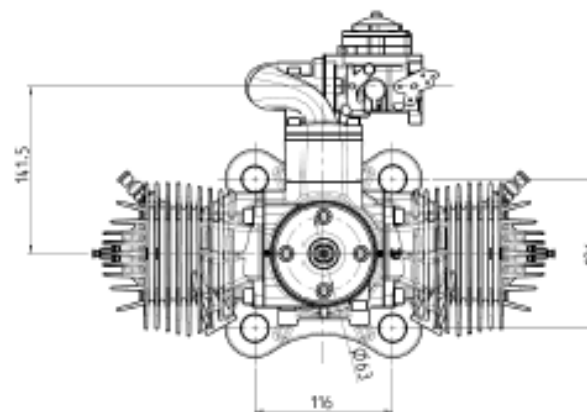
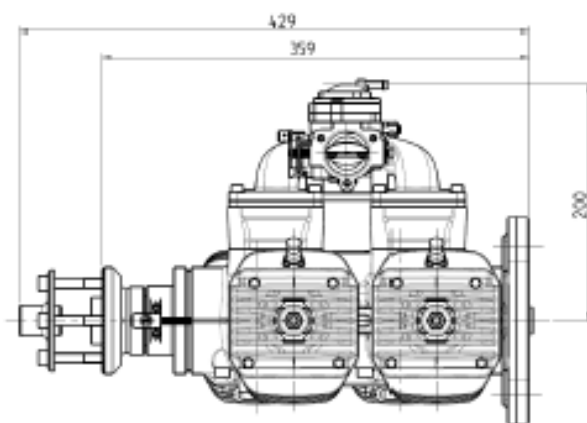




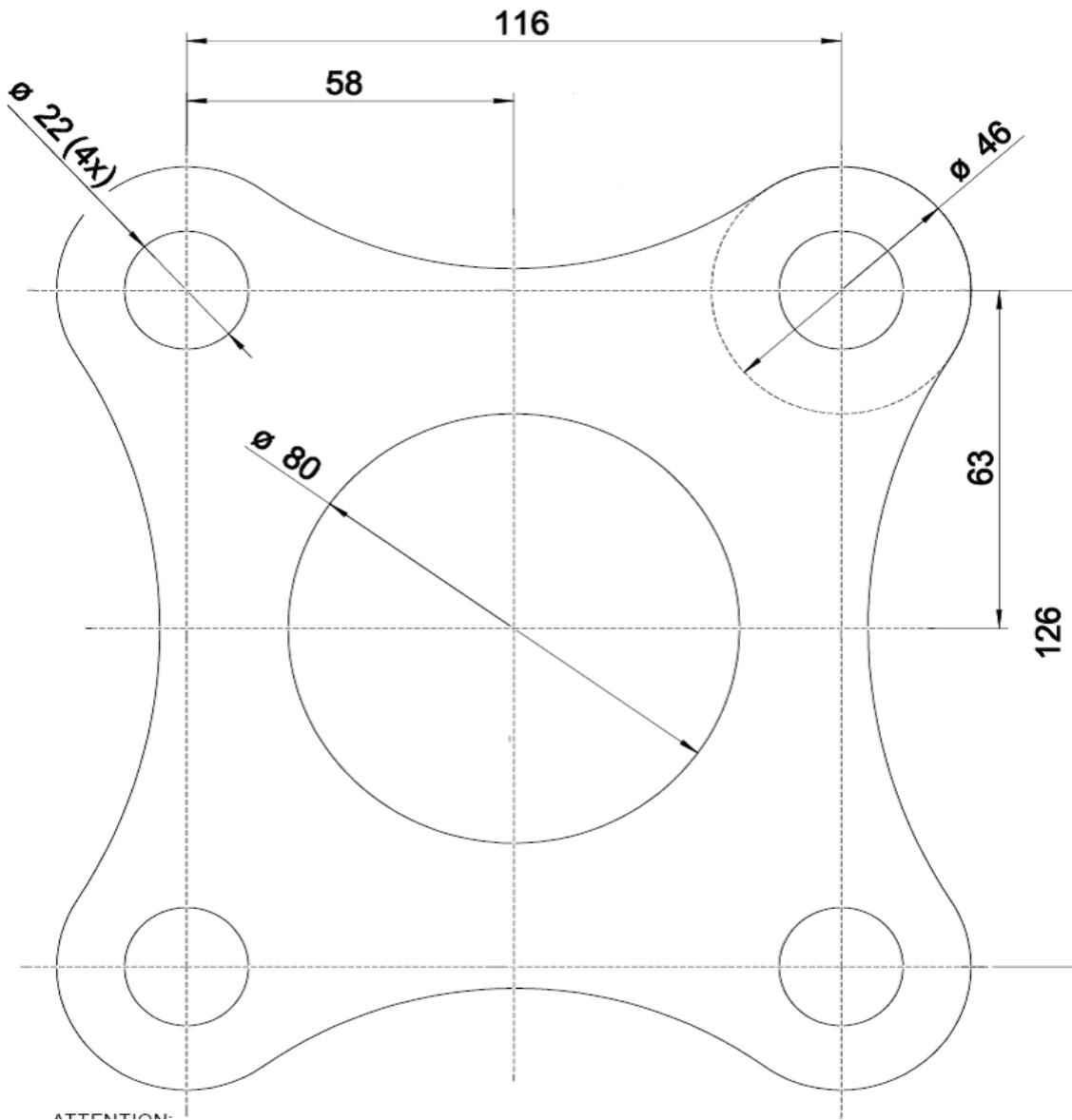
Annex A

3W-684iB4 CS

1. 3-view drawing



2. Drilling template





3. Specifications

	3W-684iB4 CS
Cylinder capacity	684.0 ccm
Power	61.0 HP (44.8 KW)
Bore diameter	66.00 mm
Stroke	50.00 mm
Speed range	1,200 – 6,500 rpm
Weight, incl. ignition	16,000 g
Crankshaft	3 ball bearing
Rods	Needle bearings at both ends
Oil / gasoline ratio	1 : 50 – 1: 80 (min. 92 Octan)
IIS – ignition	6.0 – 8.4 V, 5 cells or 2 cells LiPo
2-blade propeller	40 x 18 CFK part number 10.101.698 43 x 16 CFK part number 10.101.699