

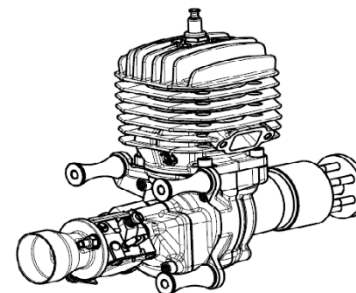
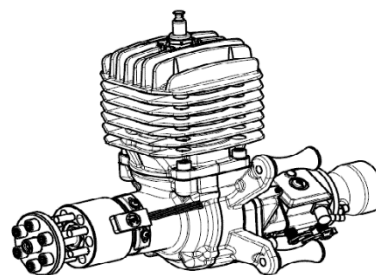
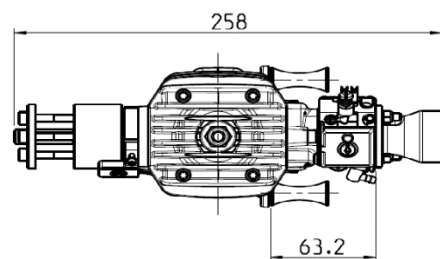
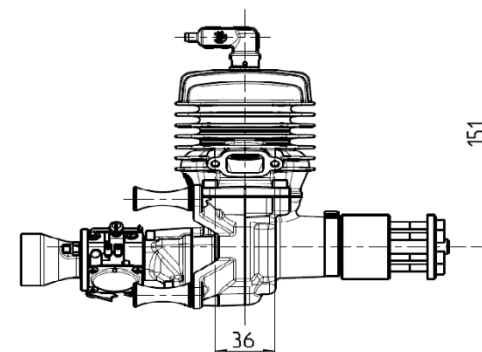
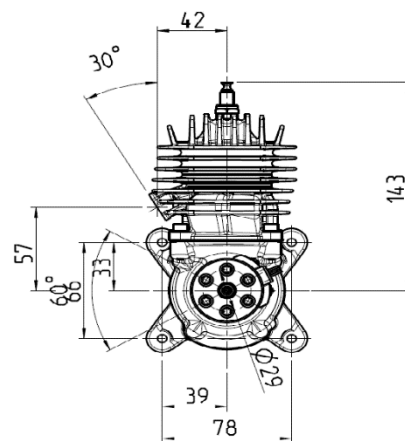
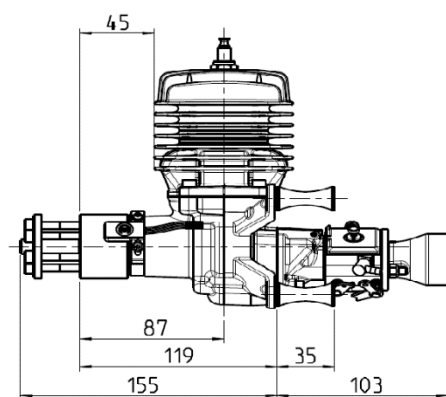
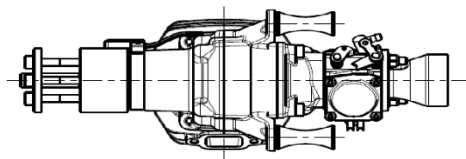


Annex A

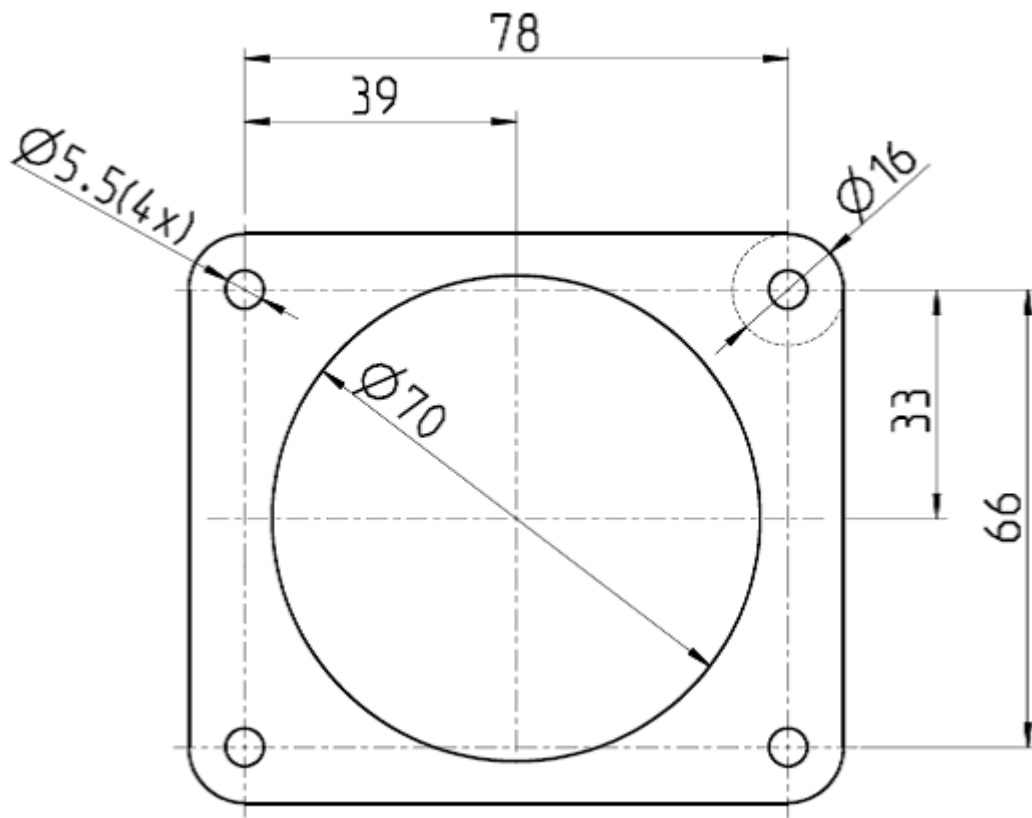
3W-55Xi



1. 3-view drawing



2. Drilling template





3. Specifications

	3W-55Xi
Cylinder capacity	55.00 ccm
Power	5.4 HP (4.0 KW)
Bore diameter	45.00 mm
Stroke	35.00 mm
Speed range	1,300 – 8,500 rpm
Weight, incl. ignition	1,790 g
Crankshaft	3 ball bearing
Rods	Needle bearings at both ends
Oil / gasoline ratio	1 : 50 – 1: 80 (min. 92 Octan)
IIS – ignition	6.0 – 8.4 V, 5 cells or 2 cells LiPo
2-blade propeller	20 x 11 wood part number 10.101.521 21 x 10 wood part number 10.101.525 21 x 11 wood part number 10.101.529 22 x 8 wood part number 10.101.531 22 x 10 wood part number 10.101.533 22 x 12 wood part number 10.101.541 23 x 8 wood part number 10.101.543 24 x 8 wood part number 10.101.545 22 x 10 L wood part number 10.101.537 (2 engines)
3-blade propeller	21 x 10 CFK part number 10.101.710 23 x 11 CFK part number 10.101.715
4-blade propeller	20 x 12 CFK part number 10.101.780