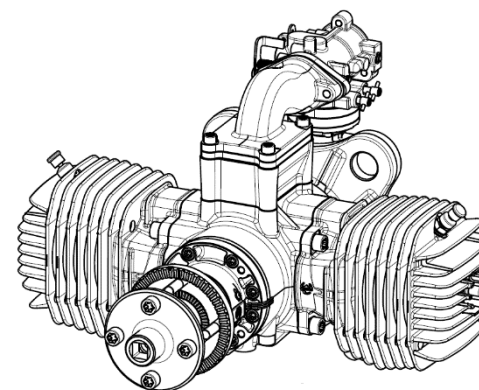
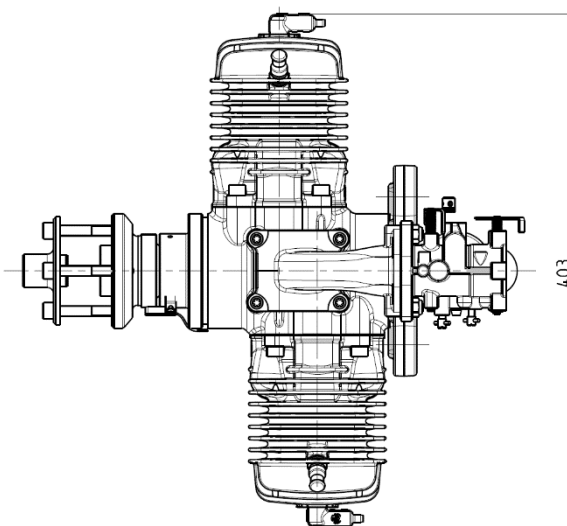
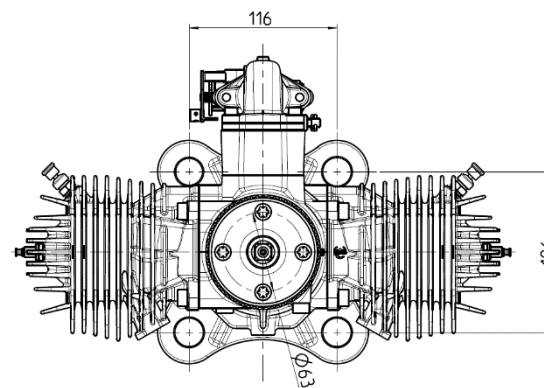
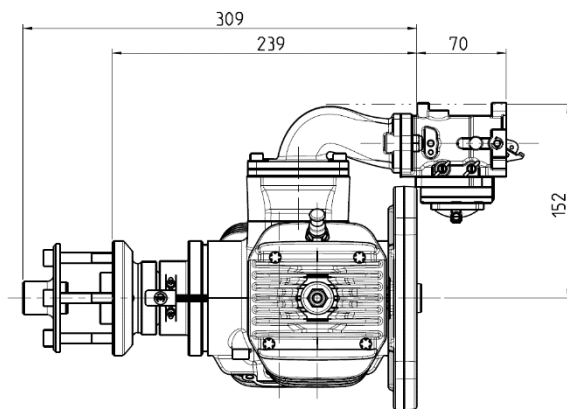




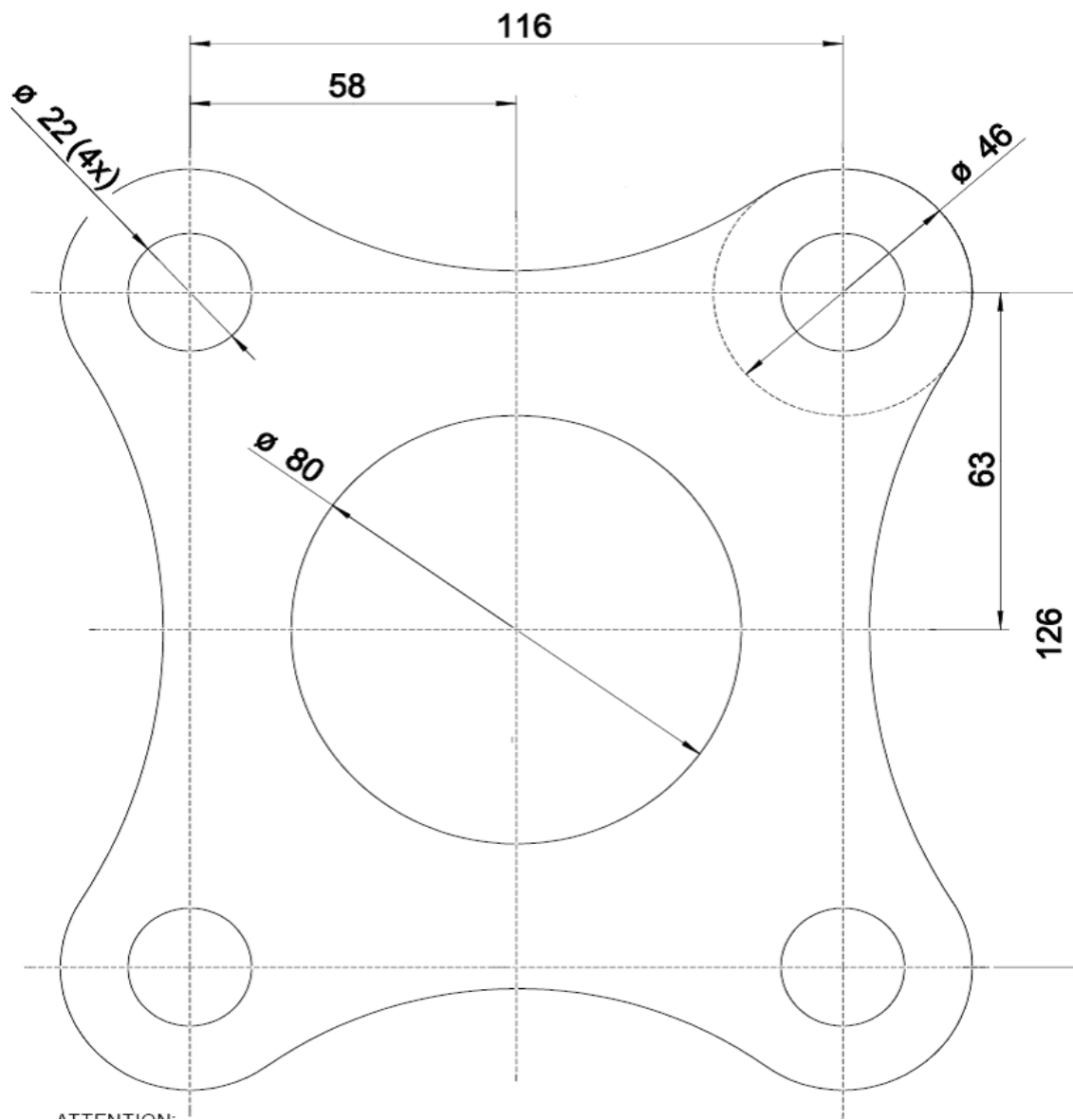
## **Annex A**

**3W-342iB2**

# 1. 3-view drawing



## 2. Drilling template





### 3. Specifications

	3W-342iB2
Cylinder capacity	342.0 ccm
Power	31.0 HP (23.1 KW)
Bore diameter	66.00 mm
Stroke	50.00 mm
Speed range	1,200 – 6,500 rpm
Weight, incl. ignition	8,570 g
Crankshaft	3 ball bearing
Rods	Needle bearings at both ends
Oil / gasoline ratio	1 : 50 – 1: 80 (min. 92 Octan)
IIS – ignition	6.0 – 8.4 V, 5 cells or 2 cells LiPo
2-blade propeller	36 x 14 CFK part number 10.101.692 36 x 16 CFK part number 10.101.694 39 x 12 CFK part number 10.101.696