

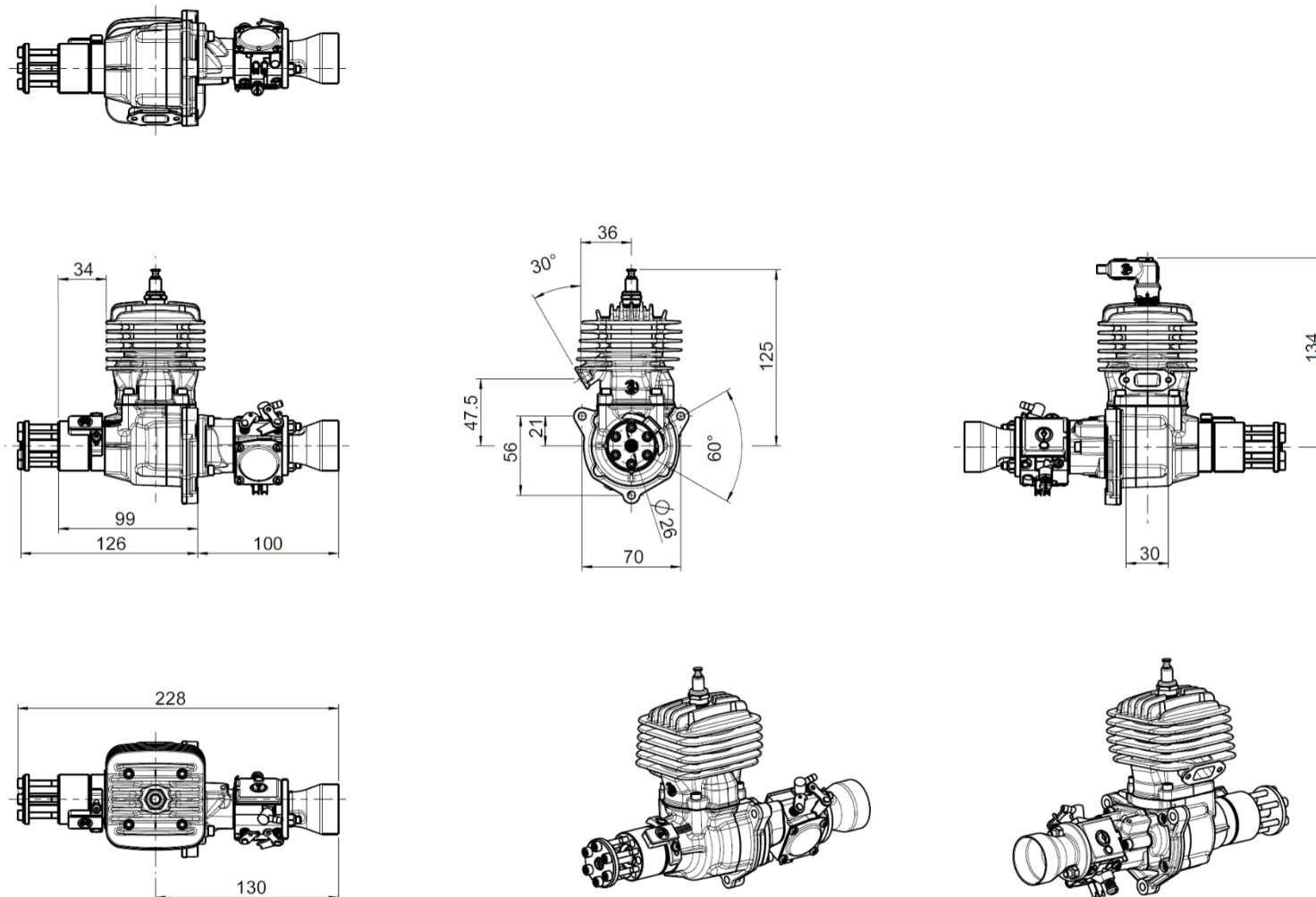


## **Annex A**

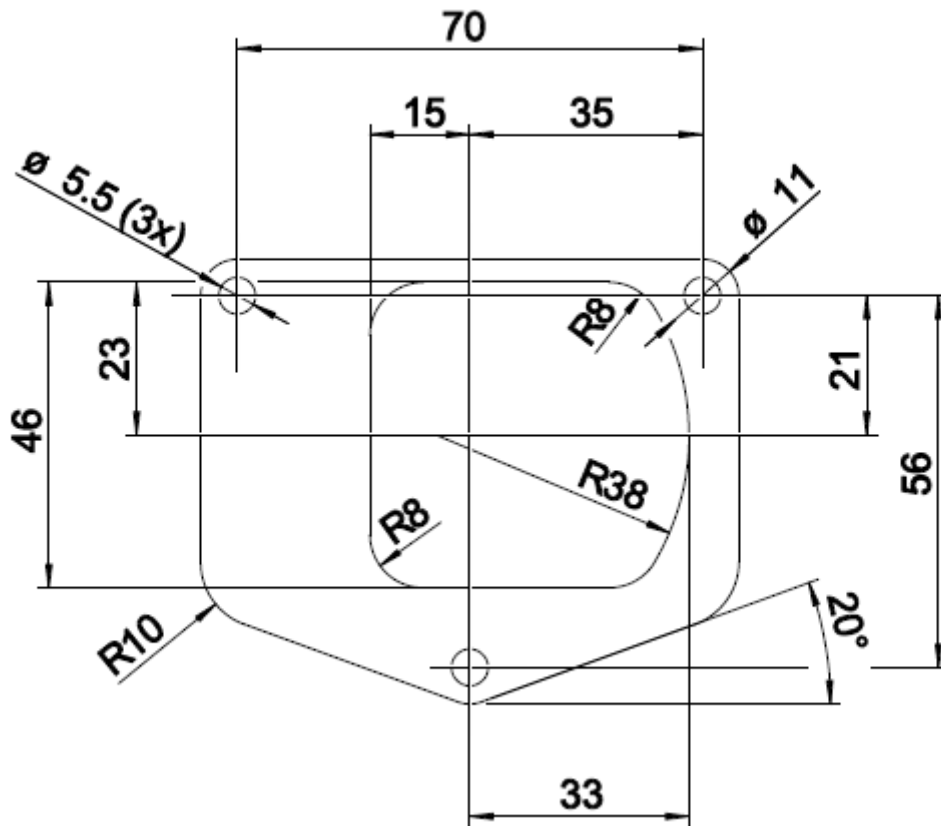
### **3W-28i**



# 1. 3-view drawing



## 2. Drilling template





### 3. Specifications

	3W-28i
Cylinder capacity	28.50 ccm
Power	3.4 HP (2.5 KW)
Bore diameter	36.00 mm
Stroke	28.00 mm
Speed range	1,500 – 8,500 rpm
Weight, incl. ignition	1,210 g
Crankshaft	3 ball bearing
Rods	Needle bearings at both ends
Oil / gasoline ratio	1 : 50 – 1: 80 (min. 92 Octan)
IIS – ignition	6.0 – 8.4 V, 5 cells or 2 cells LiPo
2-blade propeller	18 x 8 wood part number 10.101.501 18 x 10 wood part number 10.101.505 20 x 8 wood part number 10.101.513
3-blade propeller	17 x 10 CFK part number 10.101.701