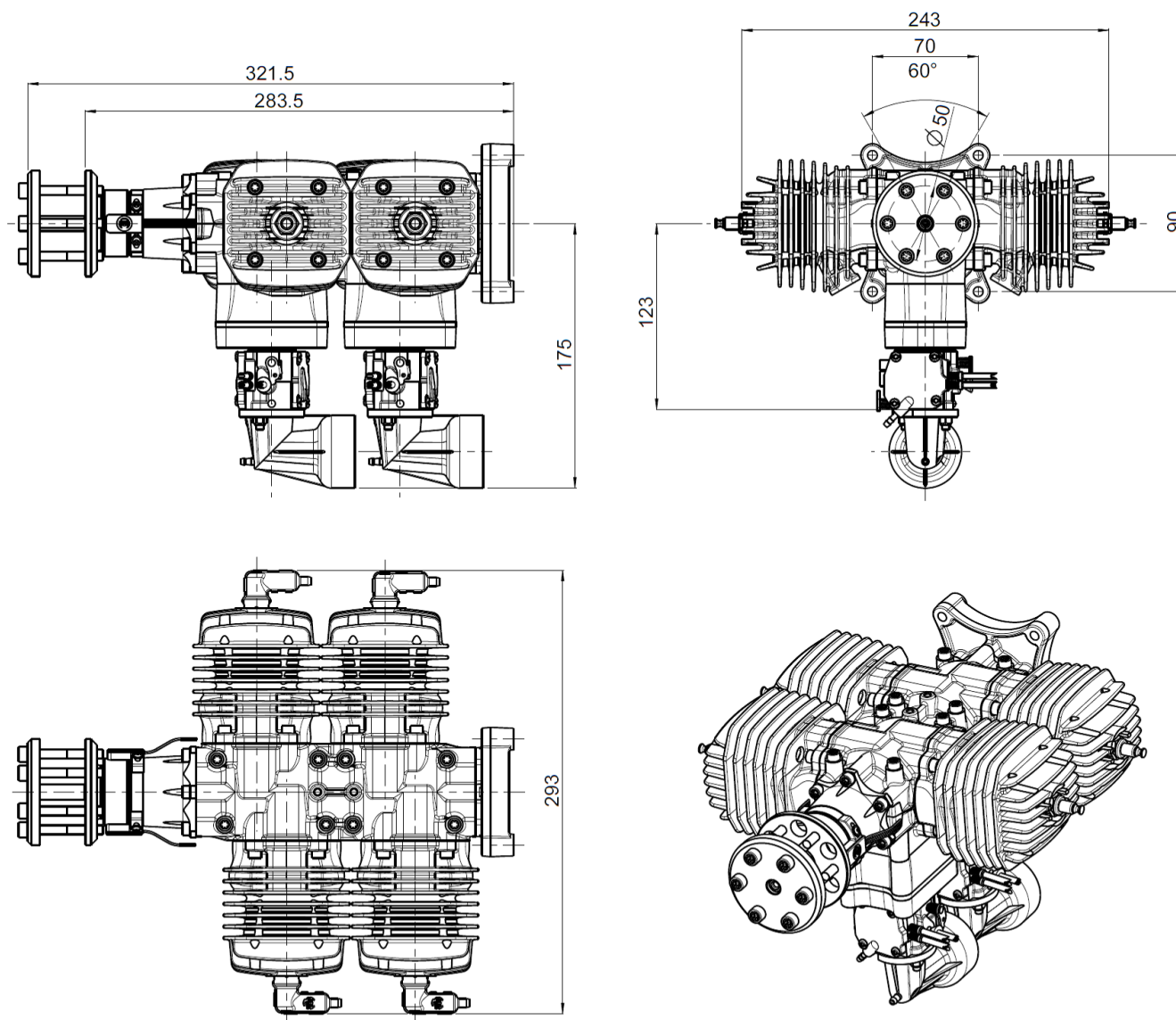


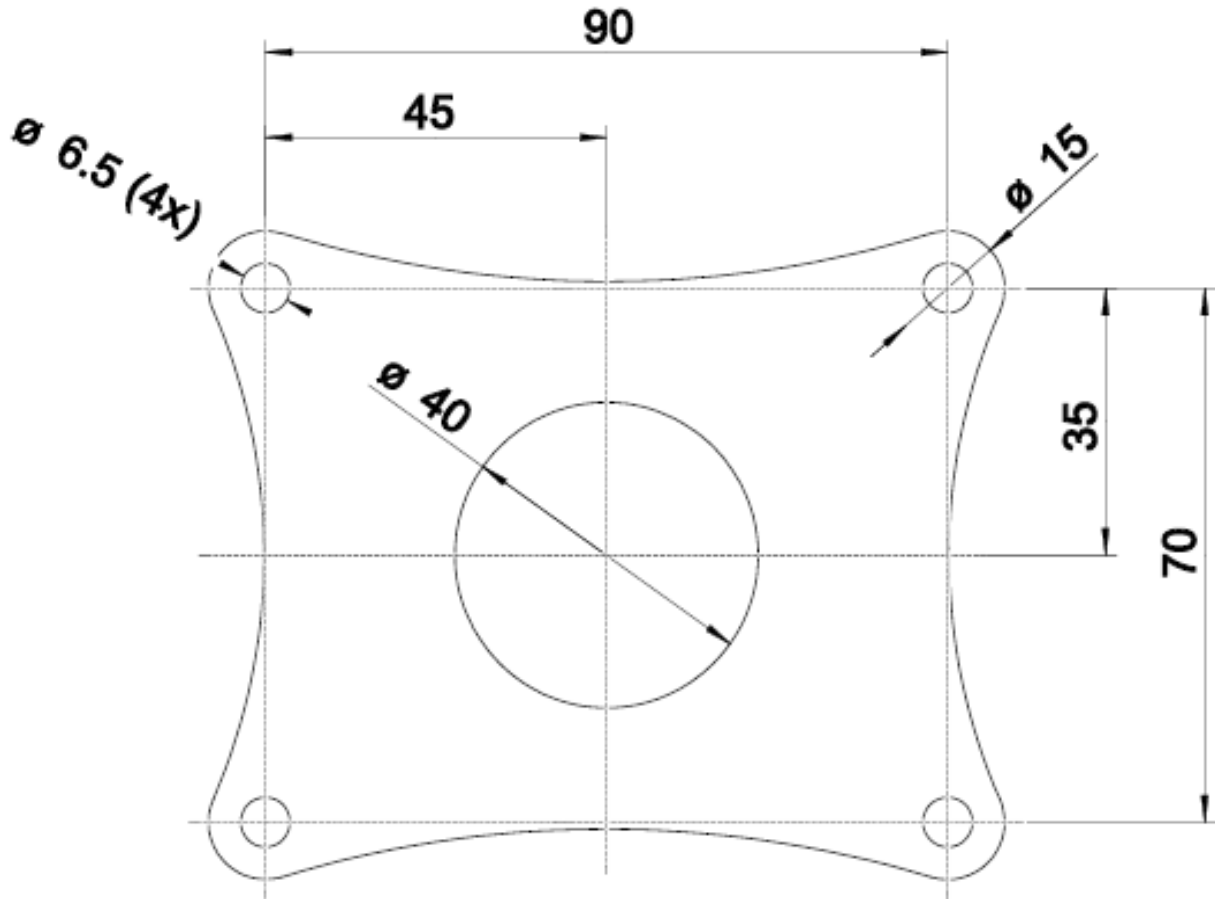


**Annex A**  
**3W-220iB4 CS**

# 1. 3-view drawing



## 2. Drilling template





### 3. Specifications

	3W-220iB4 CS
Cylinder capacity	220.0 ccm
Power	23.1 HP (16.7 KW)
Bore diameter	45.00 mm
Stroke	35.00 mm
Speed range	1,000 – 7,500 rpm
Weight, incl. ignition	6,200 g
Crankshaft	3 ball bearing
Rods	Needle bearings at both ends
Oil / gasoline ratio	1 : 50 – 1: 80 (min. 92 Octan)
IIS – ignition	6.0 – 8.4 V, 5 cells or 2 cells LiPo
2-blade propeller	34 x 10 wood part number 10.101.609 34 x 12 wood part number 10.101.613 32 x 14 CFK part number 10.101.690