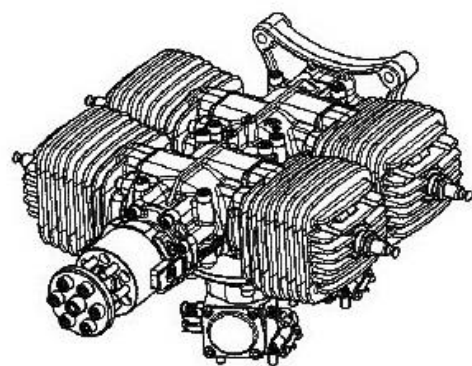
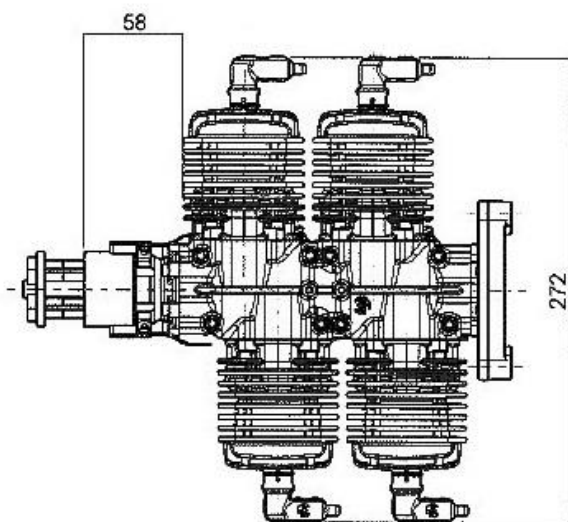
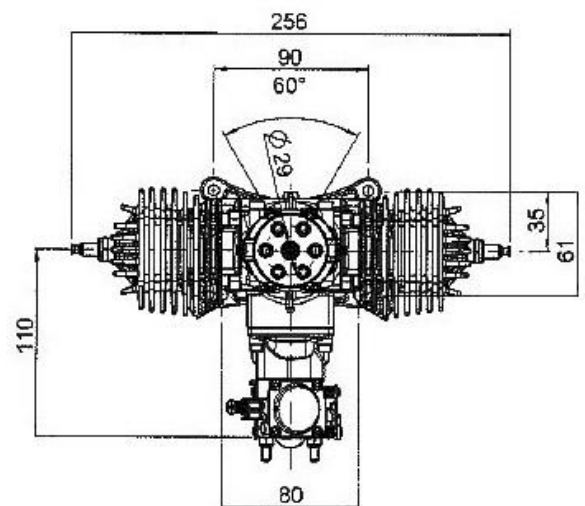
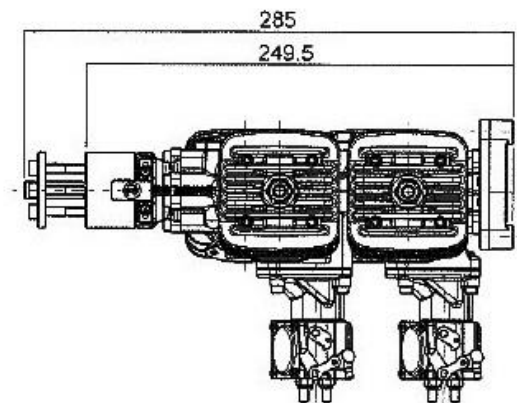




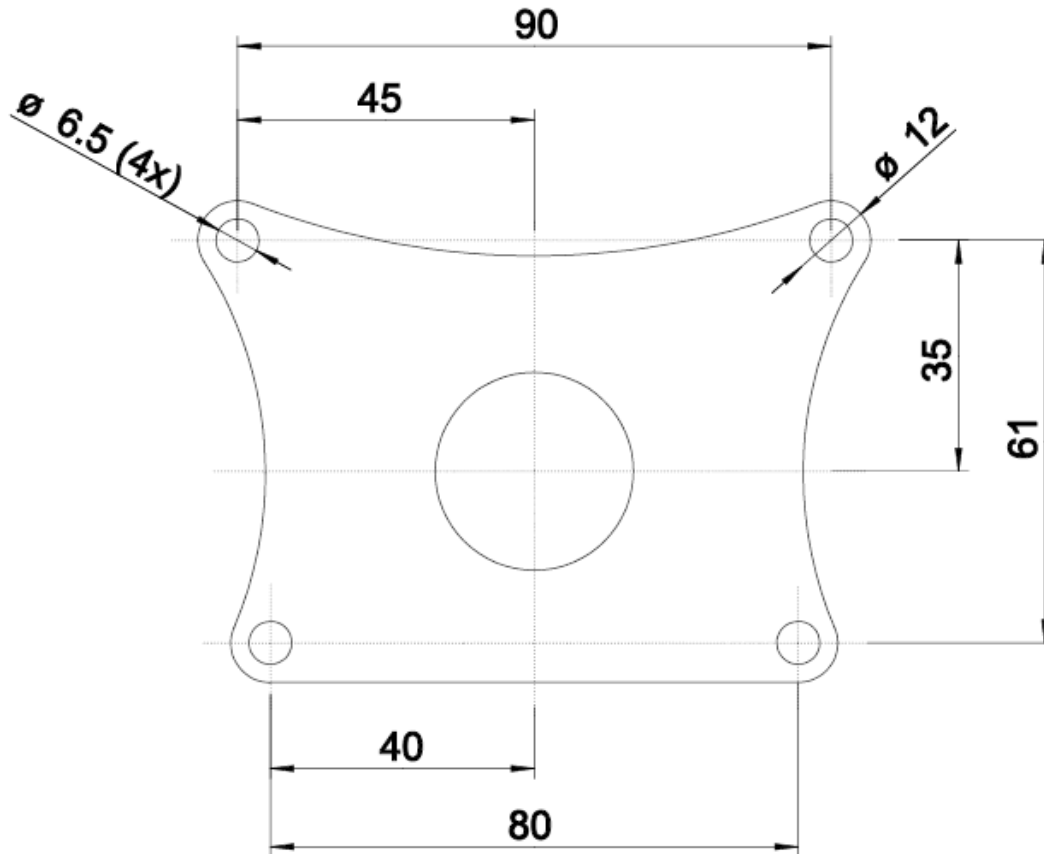
Annex A

3W-140iB4 CS

1. 3-view drawing



2. Drilling template





3. Specifications

| | 3W-140iB4 CS |
|------------------------|--|
| Cylinder capacity | 136.0ccm |
| Power | 14.5 HP (10.7 KW) |
| Bore diameter | 38.00 mm |
| Stroke | 30.00 mm |
| Speed range | 1,000 – 7,000 rpm |
| Weight, incl. ignition | 3,980 g |
| Crankshaft | 3 ball bearing |
| Rods | Needle bearings at both ends |
| Oil / gasoline ratio | 1 : 50 – 1: 80 (min. 92 Octan) |
| IIS – ignition | 6.0 – 8.4 V, 5 cells or 2 cells LiPo |
| 2-blade propeller | 27 x 10 wood part number 10.101.573 27 x 12 wood part number 10.101.577 28 x 10 wood part number 10.101.581 28 x 12 wood part number 10.101.585 28 x 14 wood part number 10.101.589 30 x 10 wood part number 10.101.593 |
| 3-blade propeller | 26 x 10 CFK part number 10.101.720 26 x 11 CFK part number 10.101.730 |