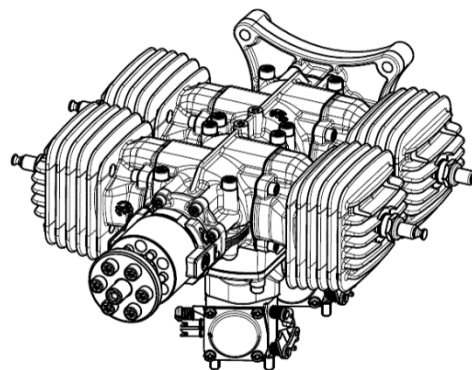
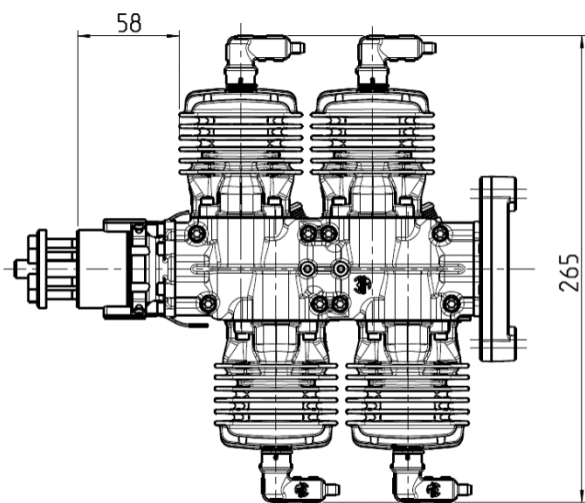
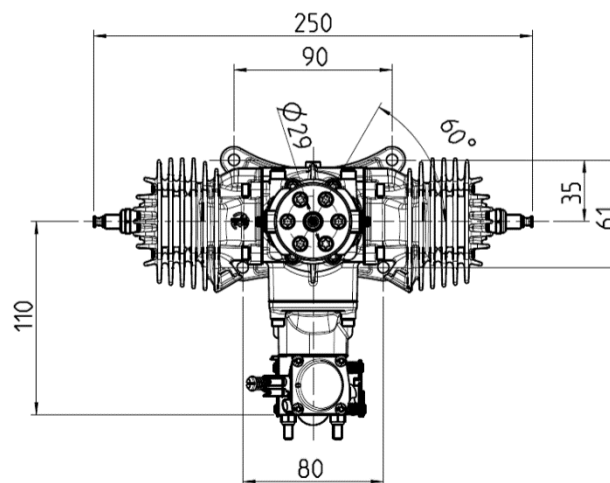
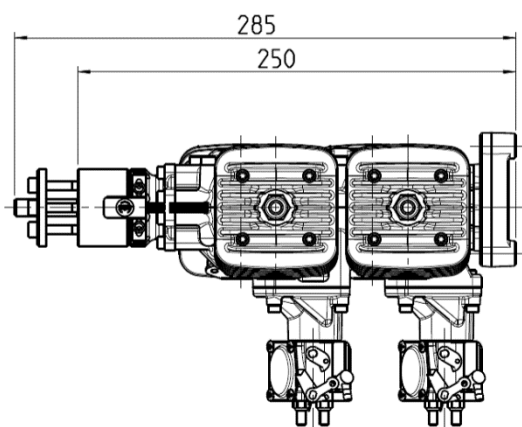




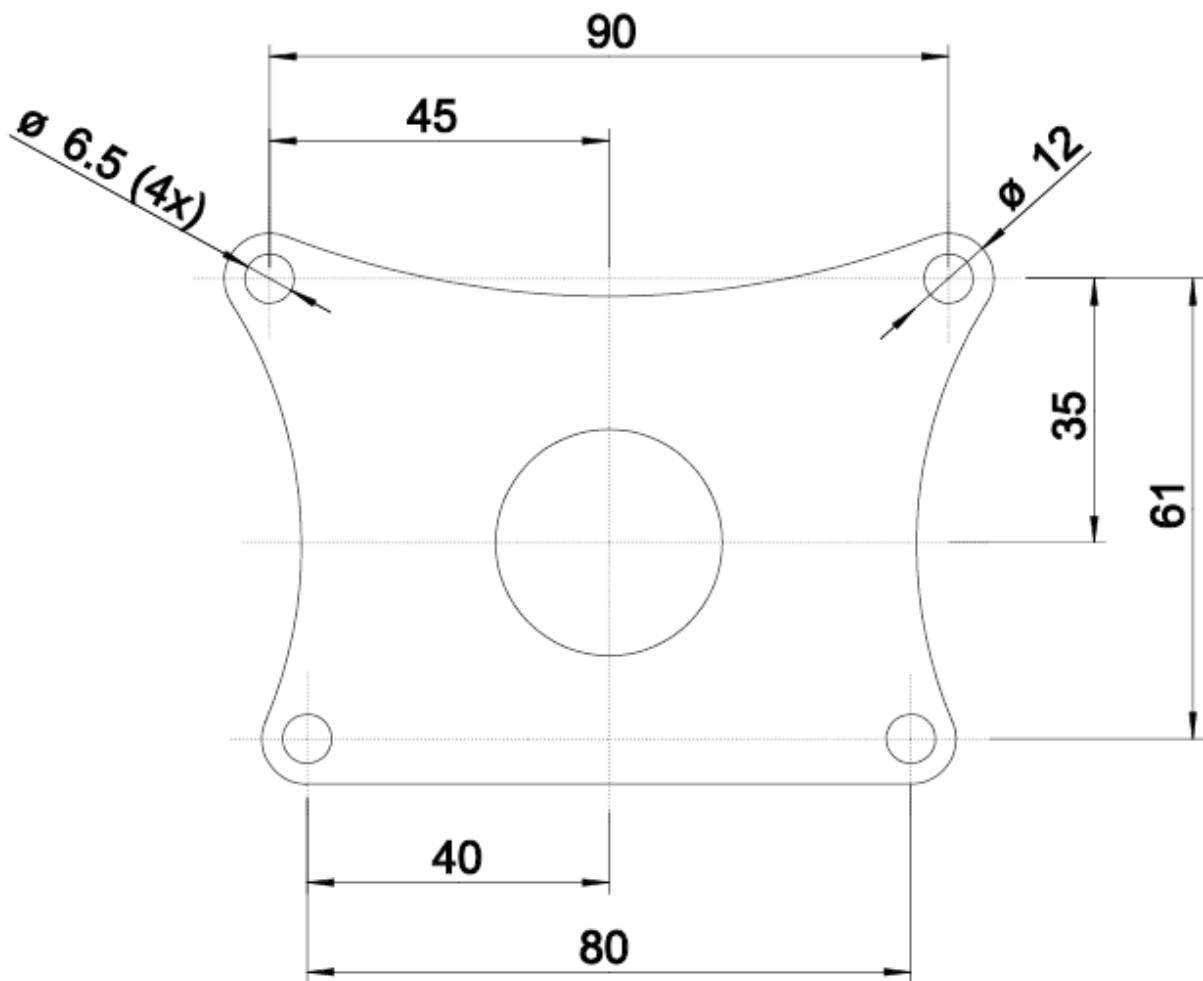
## **Annex A**

**3W-112iB4**

# 1. 3-view drawing



## 2. Drilling template





### 3. Specifications

	3W-112iB4
Cylinder capacity	114.0ccm
Power	12.2 HP (9.0 KW)
Bore diameter	36.00 mm
Stroke	28.00 mm
Speed range	1,100 – 7,000 rpm
Weight, incl. ignition	3,870 g
Crankshaft	3 ball bearing
Rods	Needle bearings at both ends
Oil / gasoline ratio	1 : 50 – 1: 80 (min. 92 Octan)
IIS – ignition	6.0 – 8.4 V, 5 cells or 2 cells LiPo
2-blade propeller	26 x 16 wood part number 10.101.569 27 x 10 wood part number 10.101.573 27 x 12 wood part number 10.101.577 28 x 10 wood part number 10.101.581 28 x 12 wood part number 10.101.585 30 x 10 wood part number 10.101.593
3-blade propeller	26 x 10 CFK part number 10.101.720 26 x 11 CFK part number 10.101.730 27 x 14 CFK part number 10.101.740