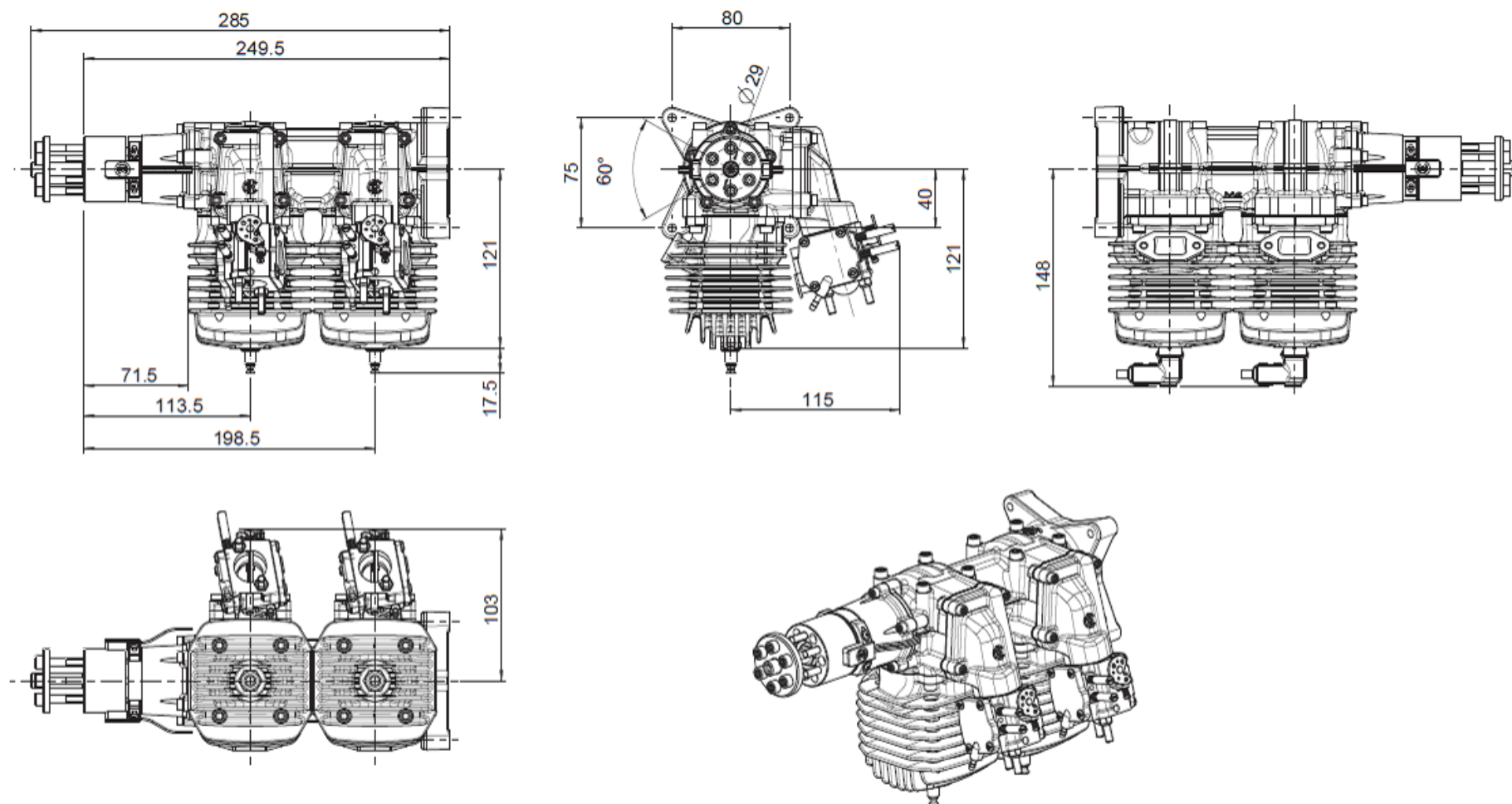




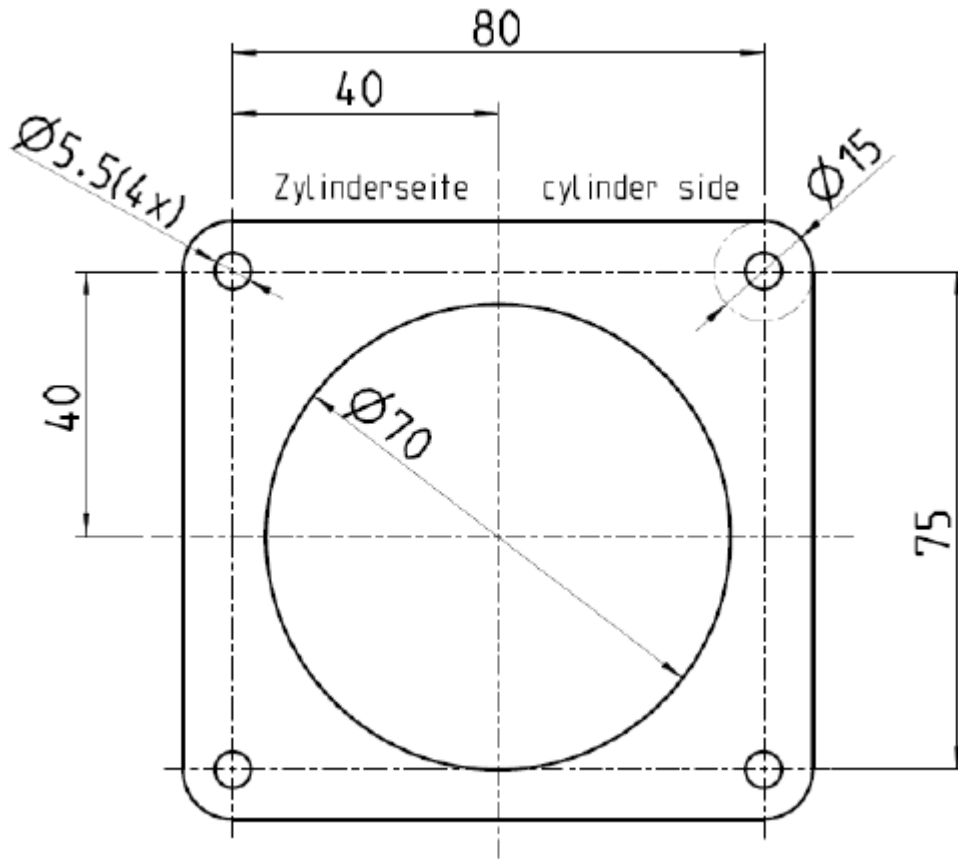
Annex A
3W-110iR2



1. 3-view drawing



2. Drilling template





3. Specifications

	3W-110iR2
Cylinder capacity	110.0ccm
Power	10.5 HP (7.8 KW)
Bore diameter	45.00 mm
Stroke	35.00 mm
Speed range	1,200 – 8,500 rpm
Weight, incl. ignition	3,490 g
Crankshaft	3 ball bearing
Rods	Needle bearings at both ends
Oil / gasoline ratio	1 : 50 – 1: 80 (min. 92 Octan)
IIS – ignition	6.0 – 8.4 V, 5 cells or 2 cells LiPo
2-blade propeller	26 x 10 wood part number 10.101.561 26 x 12 wood part number 10.101.565 26 x 16 wood part number 10.101.569 27 x 10 wood part number 10.101.573 27 x 12 wood part number 10.101.577 28 x 10 wood part number 10.101.581 28 x 12 wood part number 10.101.585 30 x 10 wood part number 10.101.593
3-blade propeller	27 x 14 CFK part number 10.101.740