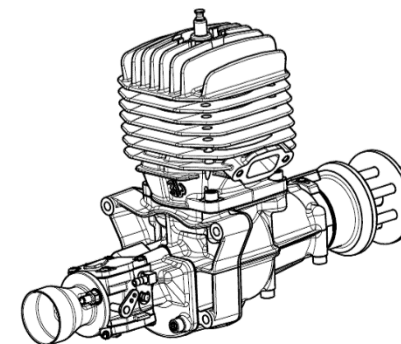
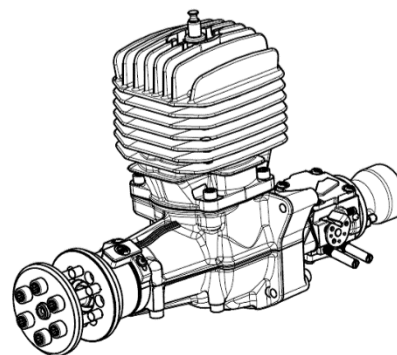
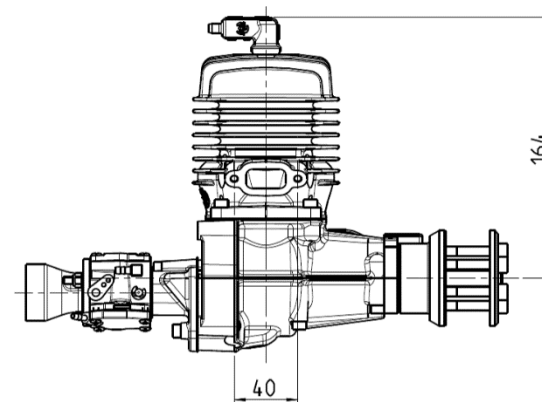
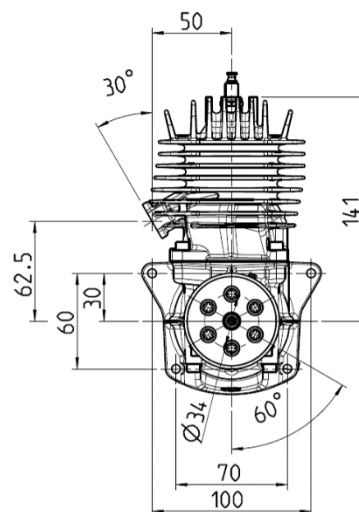
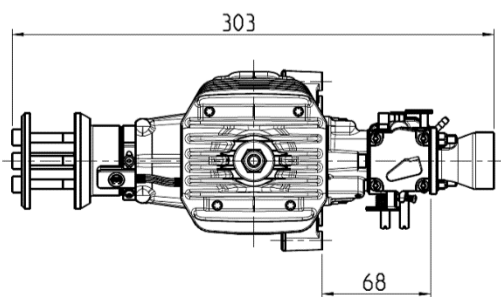
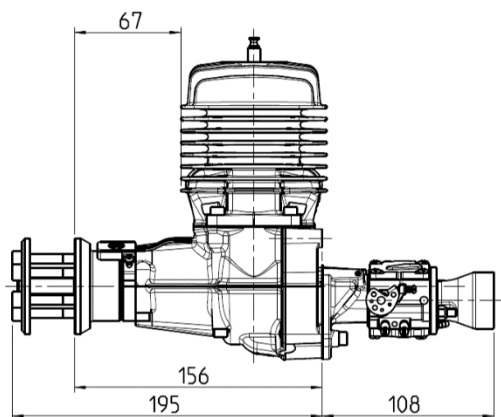
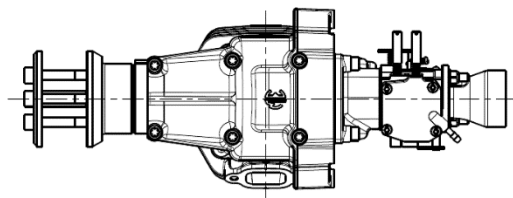




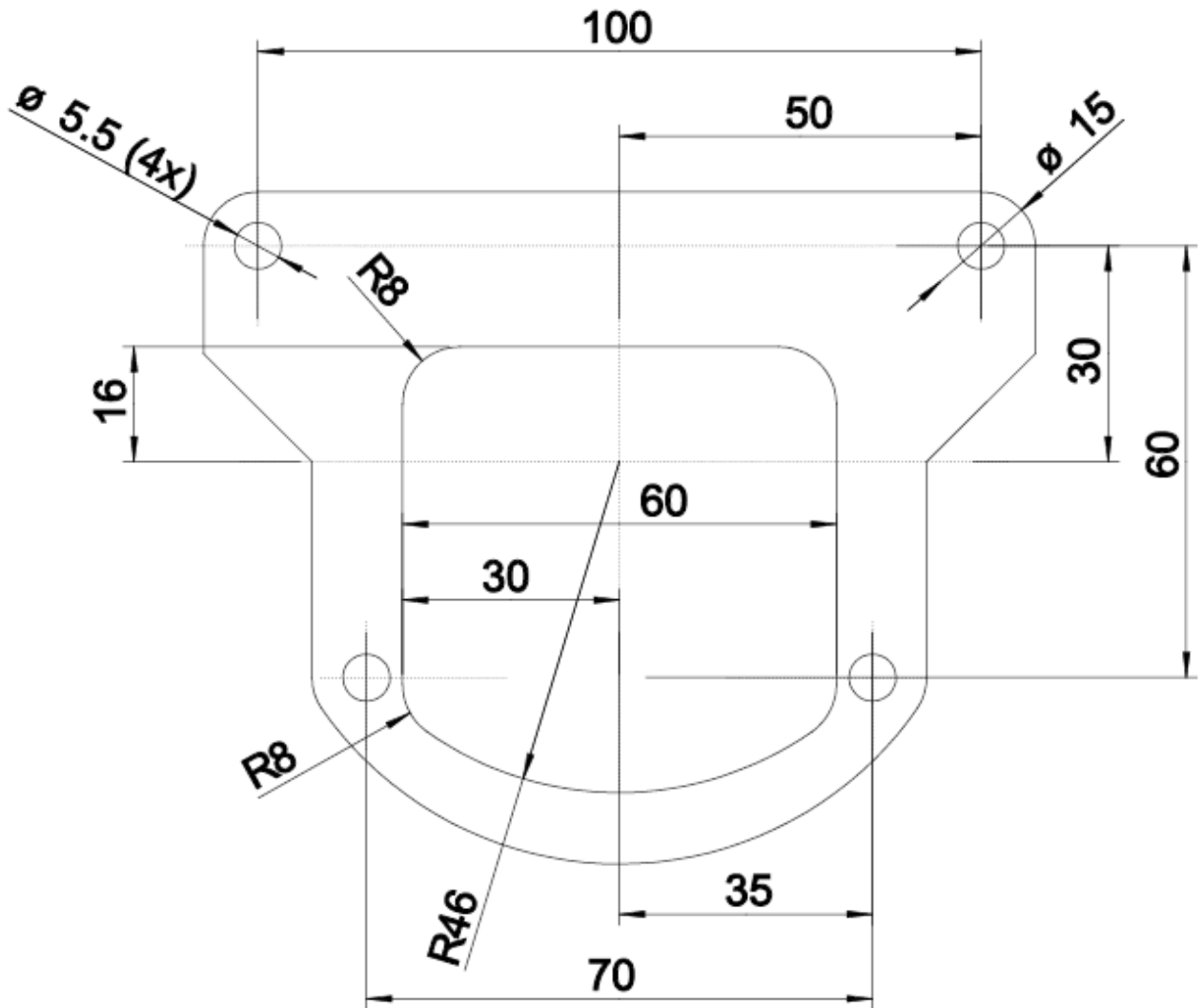
Annex A

3W-85Xi

1. 3-view drawing



2. Drilling template





3. Specifications

	3W-85Xi
Cylinder capacity	83.8 ccm
Power	9.2 HP (6.7 KW)
Bore diameter	51.00 mm
Stroke	41.00 mm
Speed range	1,100 – 8,500 rpm
Weight, incl. ignition	2,395 g
Crankshaft	3 ball bearing
Rods	Needle bearings at both ends
Oil / gasoline ratio	1 : 50 – 1: 80 (min. 92 Octan)
IIS – ignition	6.0 – 8.4 V, 5 cells or 2 cells LiPo
2-blade propeller	24 x 12 wood part number 10.101.553 26 x 10 wood part number 10.101.561 26 x 12 wood part number 10.101.565 27 x 10 wood part number 10.101.573 27 x 12 wood part number 10.101.577