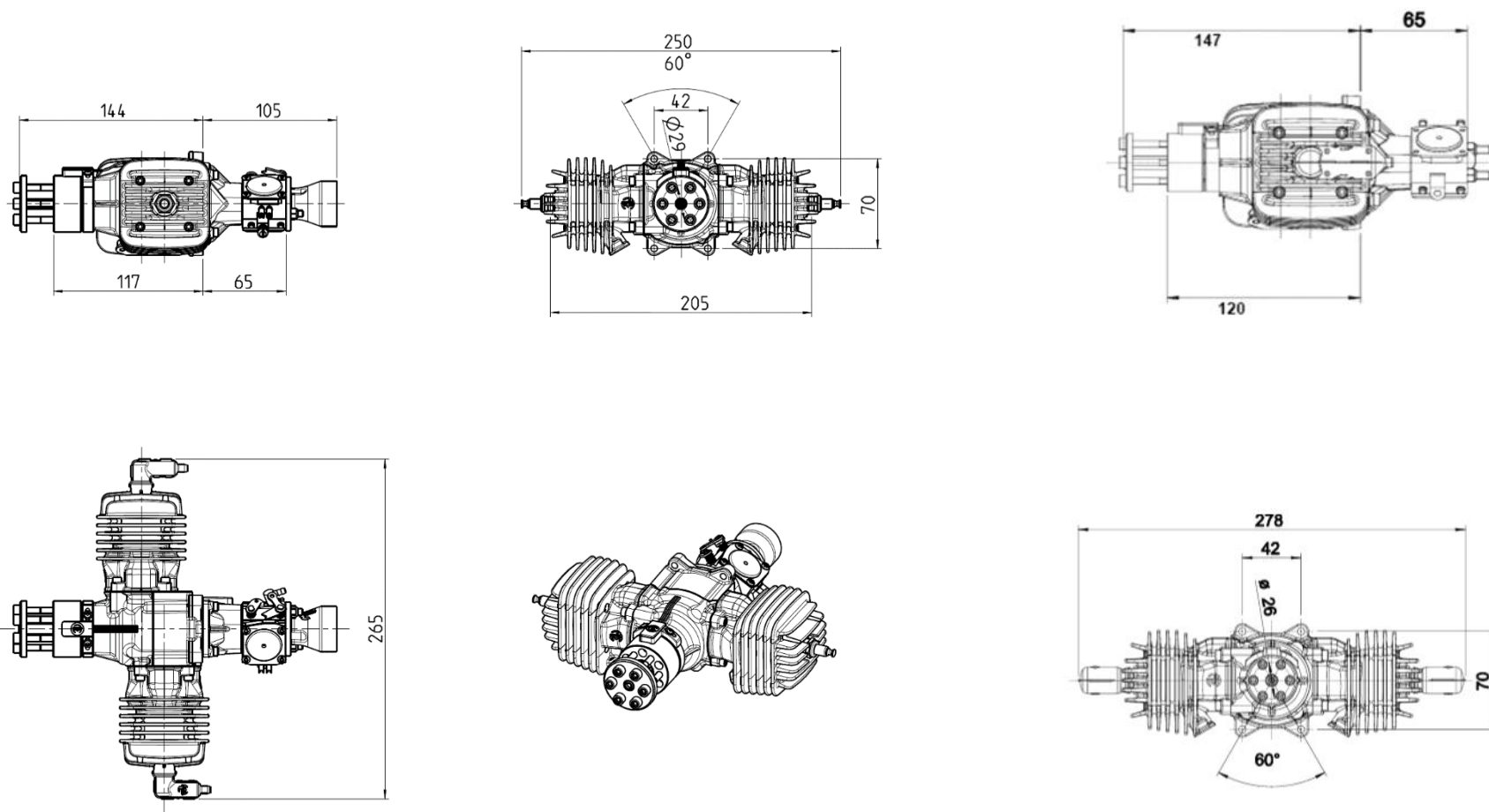




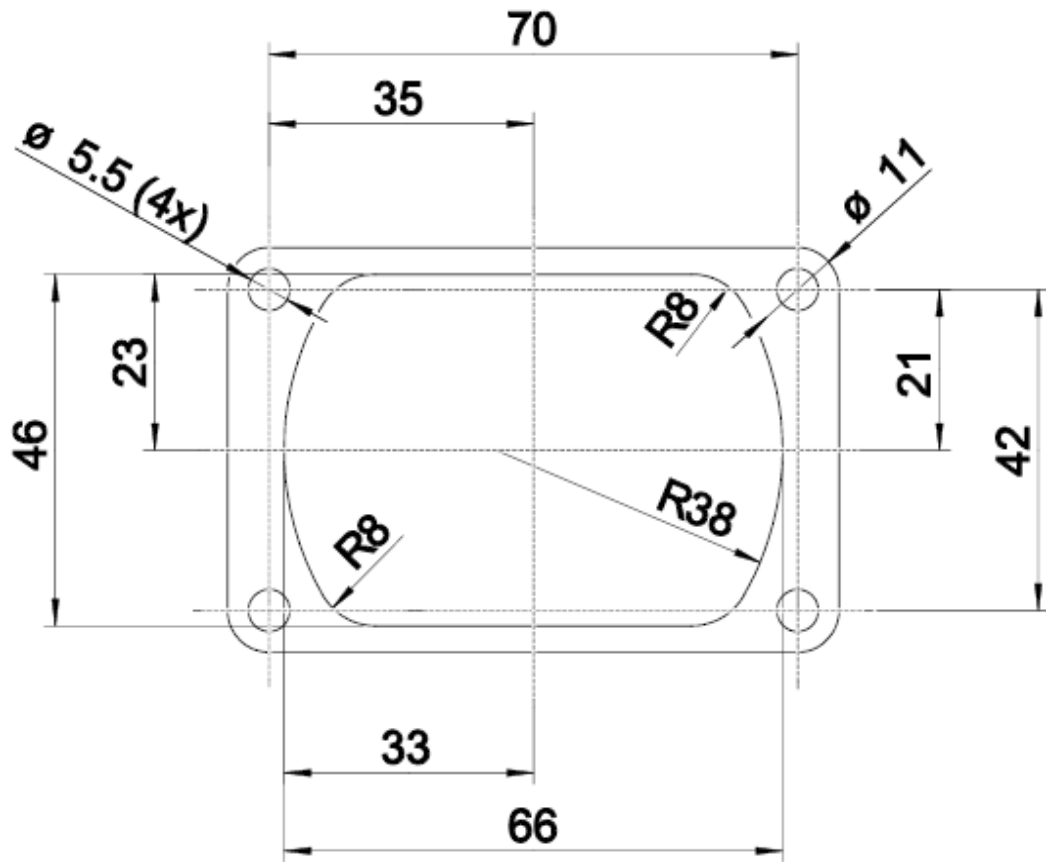
Annex A
3W-56iB2 CS



1. 3-view drawing



2. Drilling template





3. Specifications

	3W-56iB2 CS
Cylinder capacity	57.00 ccm
Power	6.0 HP (4.4 KW)
Bore diameter	36.00 mm
Stroke	28.00 mm
Speed range	1,400 – 8,500 rpm
Weight, incl. ignition	1,850 g
Crankshaft	3 ball bearing
Rods	Needle bearings at both ends
Oil / gasoline ratio	1 : 50 – 1: 80 (min. 92 Octan)
IIS – ignition	6.0 – 8.4 V, 5 cells or 2 cells LiPo
2-blade propeller	19 x 8 wood part number 10.101.509 20 x 10 wood part number 10.101.517 22 x 10 wood part number 10.101.533 23 x 8 wood part number 10.101.543 24 x 8 wood part number 10.101.545 22 x 10 L wood part number 10.101.537 (2 engines)
3-blade propeller	21 x 10 CFK part number 10.101.710 23 x 11 CFK part number 10.101.715
4-blade propeller	20 x 12 CFK part number 10.101.780