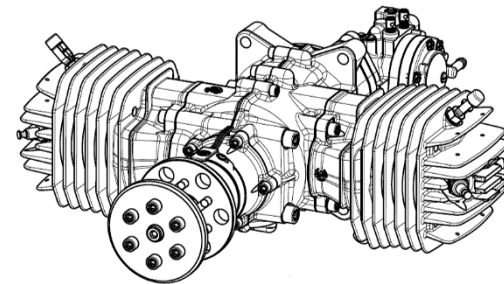
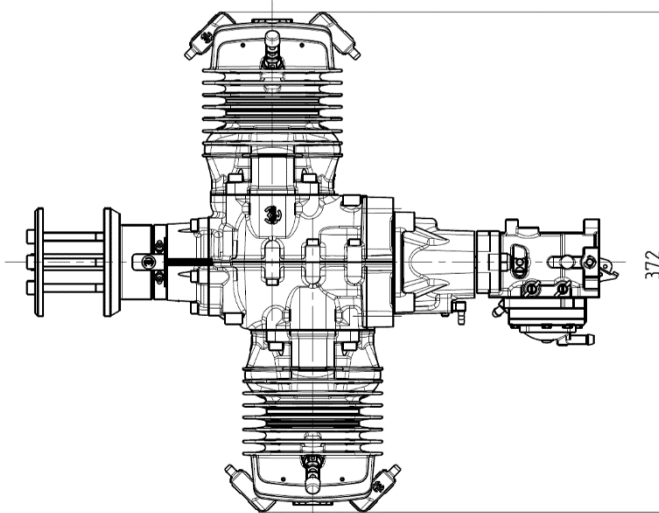
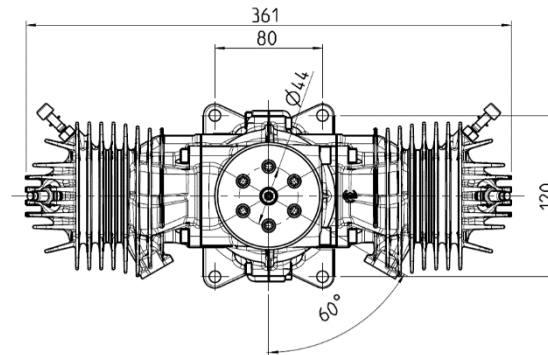
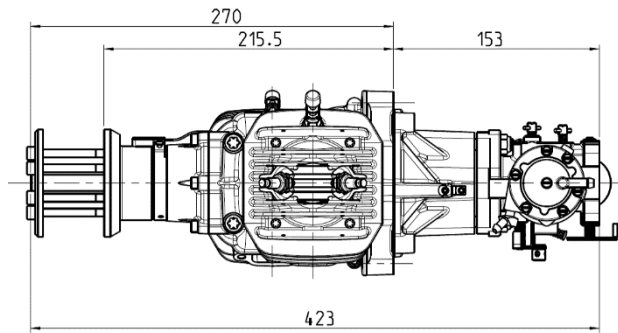




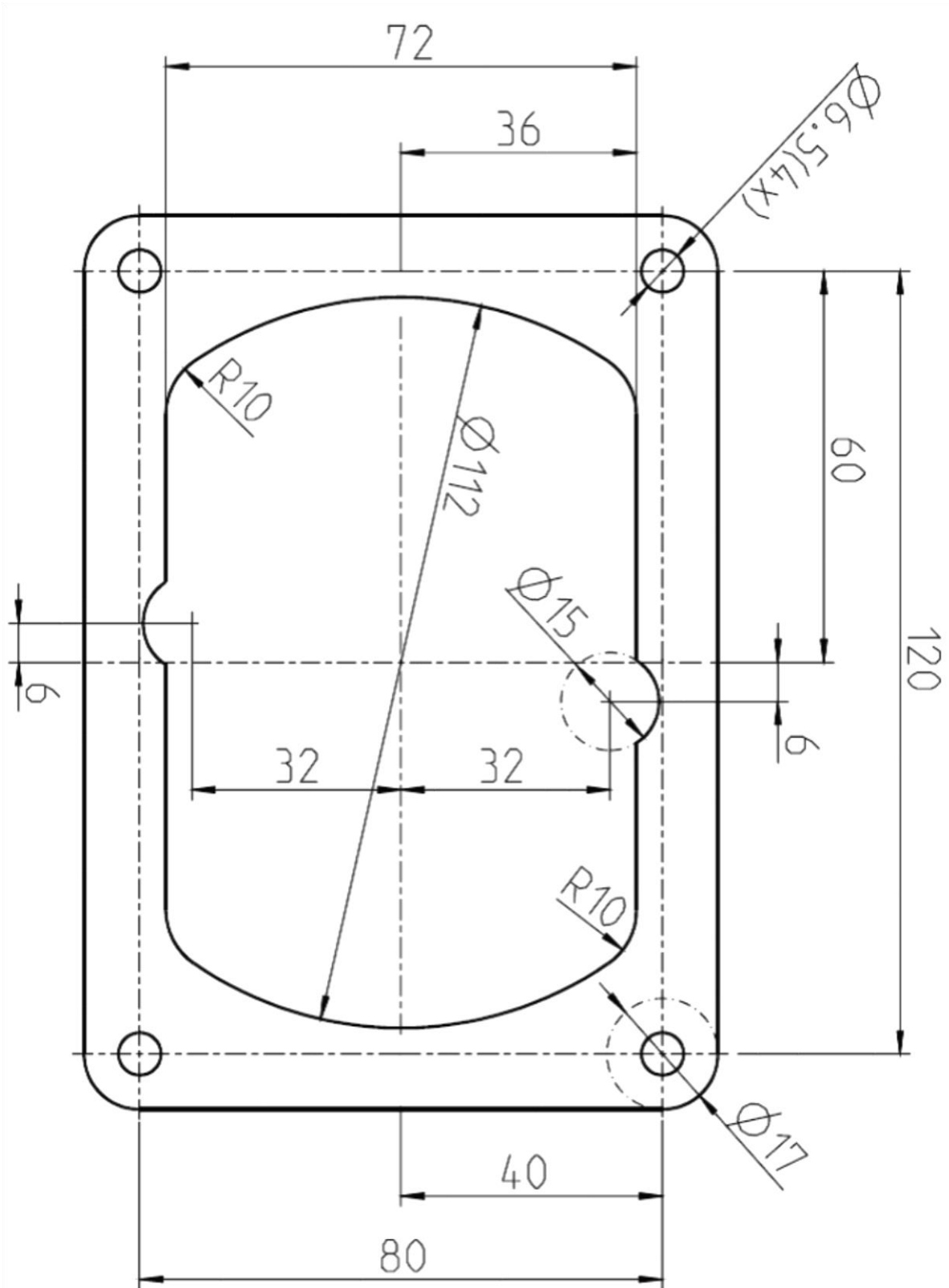
Annex A

3W-275XiB2 R TS CS

1. 3-view drawing



2. Drilling template





3. Specifications

	3W-275XiB2 R TS CS
Cylinder capacity	273.0 ccm
Power	27.5 HP (20.2 KW)
Bore diameter	59.00 mm
Stroke	50.00 mm
Speed range	1,000 – 7,000 rpm
Weight, incl. ignition	7,030 g
Crankshaft	3 ball bearing
Rods	Needle bearings at both ends
Oil / gasoline ratio	1 : 50 – 1: 80 (min. 92 Octan)
IIS – ignition	6.0 – 8.4 V, 5 cells or 2 cells LiPo
2-blade propeller	34 x 12 wood part number 10.101.613
3- blade propeller	13,75 x 14 x8 CFK part number 10.101.760 (3D)